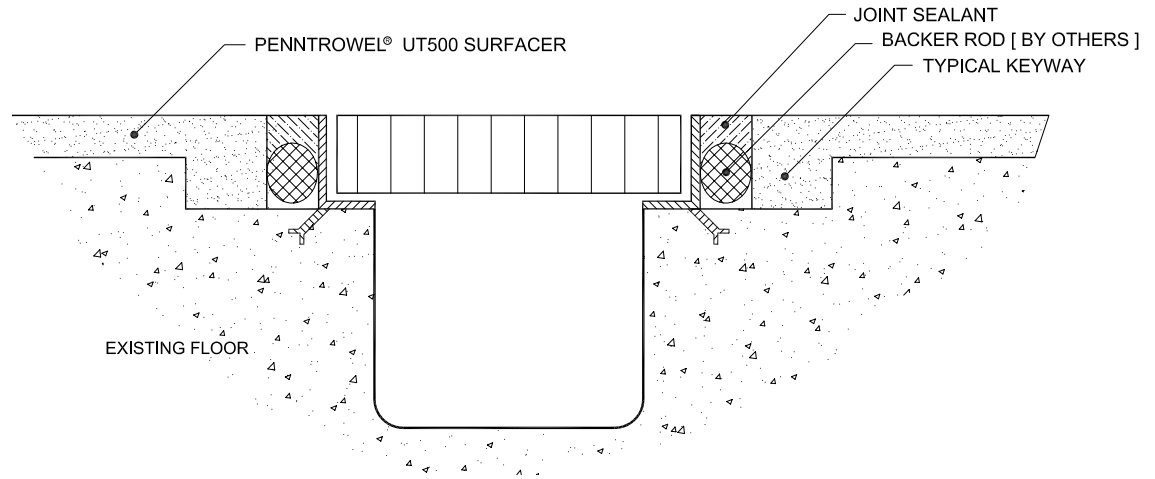


TYPICAL EXPANSION JOINT



TYPICAL TERMINATION AT
STAINLESS STEEL TRENCH

This drawing, including the principle of design, is the property of ErgonArmor and is submitted with the understanding that it will not be used for any other purpose except that specified in writing by ErgonArmor. Since the conditions and methods of use of the product and of the information referred to herein are beyond our control, ErgonArmor expressly disclaims any and all liability as to any results obtained or arising from the use of the product or reliance on such information; NO WARRANTY OF FITNESS FOR ANY PARTICULAR PURPOSE, WARRANTY OF MERCHANTABILITY OR OTHER WARRANTY, EXPRESSED OR IMPLIED, IS MADE CONCERNING THE GOODS DESCRIBED OR THE INFORMATION PROVIDED HEREIN. The user should thoroughly test any application before installation. Nothing contained herein should be taken as an inducement to infringe any patent.

CED-1040 02/10 NEW

**PENNTROWEL® UT500 SURFACER
JOINT / TRENCH DETAILS**

NO SCALE
DRAWN BY: BL
COPYRIGHT: ErgonArmor

